



Sartolab RF | BT  
Disposable PES  
Vacuum Filtration  
Units

# Sartolab Receiver Flask (RF) Range & Sartolab Bottle Top (BT) Range



Sartolab RF

## Sartolab vacuum filtration units

In today's tissue culture laboratory, speed, convenience, sterility assurance and cost effectiveness are the key requirements for busy end users and buyers.

Sartorius Sartolab Receiver Flask (RF) and Bottle Top (BT) disposable vacuum filter systems are the product of choice for filtration of tissue culture media, serum, buffers, antibiotics, vitamin solutions and other aqueous biologicals.

Sartolab RF and BT filter units offer high quality Sartorius PES membranes, combining highest flow-rates and throughput with extremely low protein binding and extractables. Not only is this high performance membrane unique to Sartorius Sartolab products, it is also offered standardly as a 90 mm membrane in all of our 500 ml and 1000 ml bottle top and receiver flask units; guaranteeing faster, higher throughput filtration more cost effectively.

## Ready-to-use and easy handling

Pre-sterilized filter units, require only connection to a vacuum source. User-friendly design eliminates mistakes in usage.

## Single-unit packaging

Receiver flasks are removable and can be closed for storage with the sterile caps supplied with the units. Bottle tops will fit any 45 mm diameter sterile storage bottle.

## Flexible

Sterile filtration of cell culture media, buffers, additives and other aqueous biologicals.

## PES Membrane of choice for cell culture

PES membranes combine extremely high flow rates and throughput with low non-specific binding.

## Free of cytotoxic effects

Sartolab units are free of cytotoxic effects, they pass all USP and cytotoxicity tests.

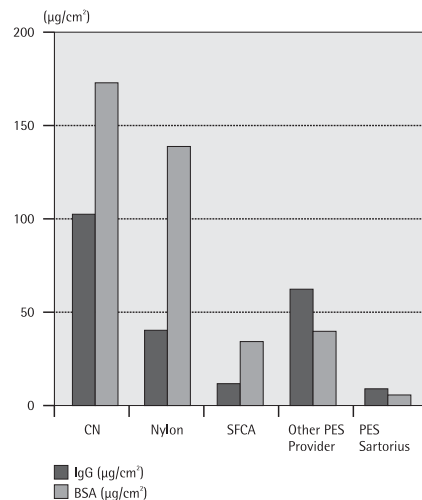
## Highest flow rates

The PES membrane in all units and a 90 mm filter diameter in 500 ml and 1000 ml units increase the speed and throughput of filtration.

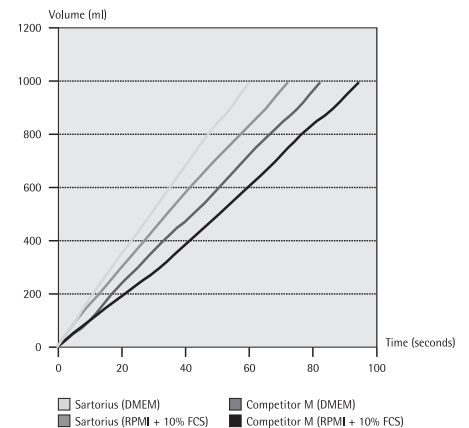


Sartolab BT

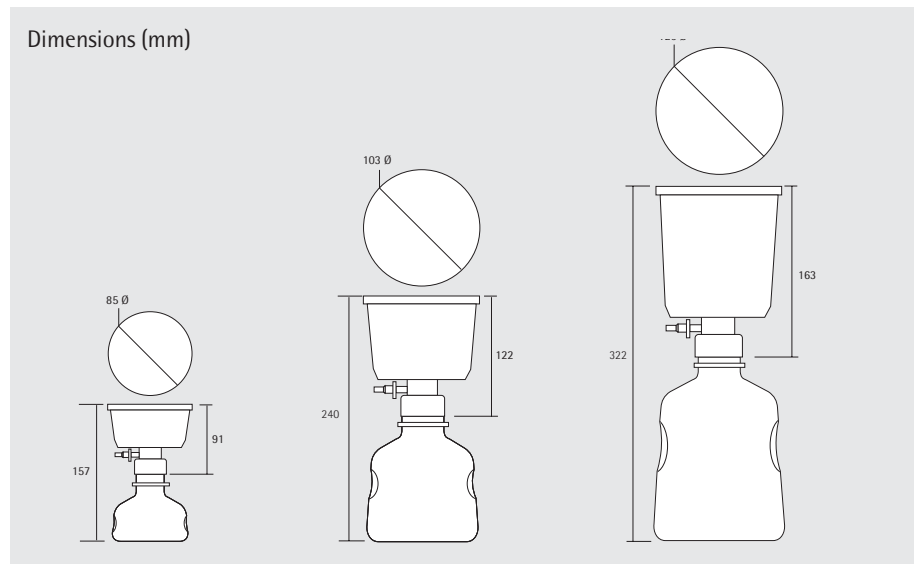
## PES Membrane - Low Protein Binding



## Highest Flow Rates



# Ordering Information



## Filter Unit with PES Membrane, Pore size 0.2 $\mu\text{m}$

Cat. No.	Volume capacity	PES Membrane diameter	Pack size
18081-E	150 ml	50 mm	12
18082-E	500 ml	90 mm	12
18083-E	1000 ml	90 mm	12

## Bottle Top Filter with PES Membrane, Pore size 0.2 $\mu\text{m}$

Cat. No.	Volume capacity	PES Membrane diameter	Pack size
18084-E	150 ml	50 mm	12
18085-E	500 ml	90 mm	12
18086-E	1000 ml	90 mm	12

## Specifications

Capacity	150 ml, 500 ml, 1000 ml funnel and flask
Membrane	PES (Polyethersulphone) 50 mm and 90 mm diameter 0.2 $\mu\text{m}$ pore size
Housing	Polystyrene
Connection to vacuum	Plug-on hose nipple
Cytotoxicity	All materials pass USP class VI and cytotoxicity ISO 10993 tests
Neck size bottle top units	45 mm diameter
Sterilization	Gamma radiation

# Sales and Service Contacts

For further contacts, visit [www.sartorius.com](http://www.sartorius.com)

## Europe

### Germany

Sartorius AG  
Weender Landstrasse 94-108  
37075 Goettingen

Phone +49.551.308.0  
Fax +49.551.308.3289

[www.sartorius.com](http://www.sartorius.com)

Sartorius BBI Systems GmbH  
Schwarzenberger Weg 73-79  
34212 Melsungen

Phone +49.5661.71.3400  
Fax +49.5661.71.3702

[www.sartorius.com](http://www.sartorius.com)

### Austria

Sartorius Ges.m.b.H. Wien  
Franzosengraben 12  
A-1030 Vienna

Phone +43.1.7965763.18  
Fax +43.1.796576344

### Belgium

Sartorius Technologies N.V.  
Luchthavenlaan 1-3  
1800 Vilvoorde

Phone +32.2.756.0670  
Fax +32.2.756.0681

### Denmark

Sartorius A/S  
Himmelev Bygade 49  
4000 Roskilde

Phone +45.70.23.4400  
Fax +45.46.30.4030

### France

Sartorius S.A.S.  
4, rue Emile Baudot  
91127 Palaiseau Cedex

Phone +33.1.6919.2100  
Fax +33.1.6920.0922

### Italy

Sartorius S.p.A.  
Via dell'Antella, 76/A  
50011 Antella-Bagno a Ripoli (FI)

Phone +39.055.63.40.41  
Fax +39.055.63.40.526

### Netherlands

Sartorius Filtratief B.V.  
Edisonbaan 24  
3439 MN Nieuwegein

Phone +31.30.6025080  
Fax +31.30.6025099

### Spain

Sartorius, S.A.  
C/Isabel Colbrand 10 -12,  
Planta 4, Oficina 121  
Poligono Industrial de Fuencarral  
28050 Madrid

Phone +34.91.3586102  
Fax +34.91.3588804

### Switzerland

Sartorius Schweiz AG  
Lerzenstrasse 21  
8953 Dietikon

Phone +41.1.746.50.00  
Fax +41.1.746.50.50

### U.K.

Sartorius Ltd.  
Longmead Business Park  
Blenheim Road, Epsom  
Surrey KT19 9 QQ

Phone +44.1372.737100  
Fax +44.1372.720799

## America

### USA

Sartorius North America, Inc.  
131 Heartland Blvd.  
Edgewood, New York 11717

Phone +1.631.254.4249  
Toll-Free +1.800.3687178  
Fax +1.631.254.4253

Sartorius BBI Systems, Inc.  
2800 Baglyos Circle  
Bethlehem, PA 18020

Phone +1.610.866.4800  
Fax +1.610.866.4890

### Argentina

Sartorius Argentina S.A.  
Calle Avalos 4251 (B1605ECS) Munro  
Buenos Aires

Phone +54.11.4721.0506  
Fax +54.11.4762.2333

### Brazil

Sartorius do Brasil Ltda.  
Rua Santo André, 331  
09020-230 Santo André  
São Paulo

Phone +55.11.4438.3833  
Fax +55.11.4438.2355

### Mexico

Sartorius de México S.A. de C.V.  
Circuito Arquitectos No. 11  
Despacho 201  
Ciudad Satélite  
53100 Naucalpan, Estado de Mexico

Phone +52.55.62.1102  
Fax +52.55.62.2942

## Asia | Pacific

### China

Beijing Sartorius Instrument & System  
Engineering Co., Ltd.

- Beijing Rep. Office -  
Dong Hu Qu, Wang Jing  
Industrial Zone  
Chao Yang District  
100102 Beijing, P.R.C.  
P.O. Box 8516

Phone +86.10.6439.2552  
Fax +86.10.6439.2726

Sartorius Ltd.  
Unit 1110-12, Lu Plaza,  
2 Wing Yip Street  
Kwun Tong, Kowloon, Hong Kong

Phone +852.2774.2678  
Fax +852.2766.3526

### India

Sartorius India Private Ltd.  
10, 6th Main, 3rd Phase Peenya  
KIADB Industrial Area  
Bangalore - 560 058

Phone +91.80.2839.1963 | 0461  
Fax +91.80.2839.8262

### Japan

Sartorius K.K.  
KY Building, 8-11  
Kita Shinagawa 1-chome  
Shinagawa-ku  
Tokyo 140-0001

Phone +81.3.3740.5407  
Fax +81.3.3740.5406

### South Korea

Sartorius Korea Biotech  
B-1023, Paragon  
17-2, Jungja-Dong, Bundang-Gu  
Sungnam, Gyunggi-Do  
463-811, South Korea

Phone +82.31.782.7011  
Fax +82.31.782.7666

### Malaysia

Sartorius (Malaysia) Sdn. Bhd.  
Lot L3-E-3B, Enterprise 4  
Technology Park Malaysia  
Bukit Jalil  
57000 Kuala Lumpur

Phone +60.3.8996.0622  
Fax +60.3.8996.0755

### Singapore

Sartorius Singapore Pte. Ltd.  
10, Science Park Road, The Alpha  
#02-25, Singapore Science Park 2  
Singapore 117684

Phone +65.6872.3966  
Fax +65.6778.2494

### Australia

Sartorius Australia Pty. Ltd.  
Unit 17/104 Ferntree Gully Road  
Waverley Business Park  
East Oakleigh, Victoria 3166

Phone +61.3.9590.8800  
Fax +61.3.9590.8828